



“Aru ED G-68 CLASSIC IN” is an inward opening German type external door with a thickness of 68 mm. Different panel and glass divisions are available allowing the customer to achieve a bespoke design. Only DIN standard locks are suitable for this door

Inward opening external doors



Raised panels, rebated detail



A door made of knot-free pine with raised panels



An external door with fixed sidelights



A painted flush panel



A raised panel



Stained doors made of knotted pine, with profiled panels

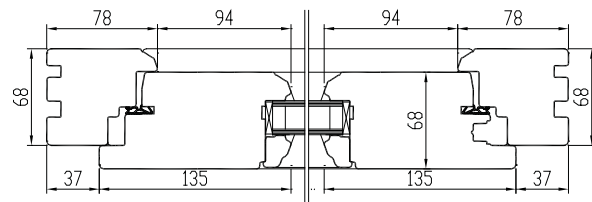
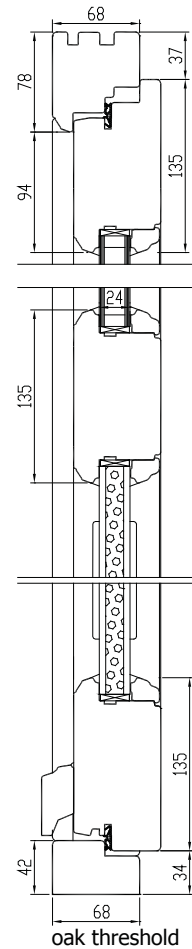
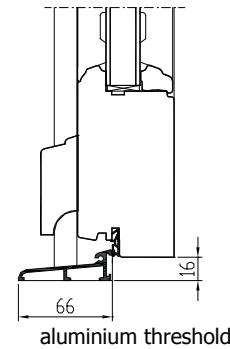
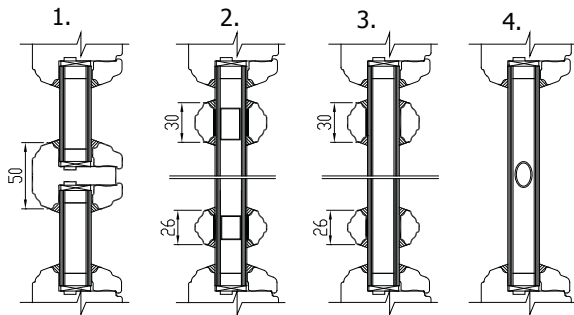
Aru ED G-68 CLASSIC IN

INWARD OPENING GERMAN TYPE VACUUM DEEP-IMPREGNATED WOODEN EXTERNAL DOOR

Profile	IV68 KANDILINE or IV68 RUSTIKAL
Jamb	68 x 78 mm
Threshold	42 mm oak threshold or 22 mm aluminium-profile threshold
Doorleaf	rebated on the sides and on the top, bottom side without rebation
Construction	135 x 68 mm
Panelling	5 options
Gasket	Double cavity seal in middlegroove around the doorleaf's perimeter
Hinges	Roto
Lock	DIN (GU or Roto 3-point or KFV 1-point locking)
Finishing	waterbased paints or stains
Glazing	double or triple glazed panel, ($k \geq 1,1 \text{ W/m}^2\text{K}$)

GLAZING BAR OPTIONS

- option 1 penetrating bars 50 mm
- option 2 glued on both sides+slats inside the glazing (Norwegian style)
- option 3 taped bars on both sides of the glazingpanel
- option 4 inside the glazingpanel



Panelling:

- drawing 1 flush insulated panel
- drawing 2 profiled insulated panel - vertical or diagonal grooves
- drawing 3 raised panel
- drawing 4 profiled sheeting outside, timber panelling inside
- drawing 5 profiled sheeting on both sides (fixed with screws)

