



The sliding terrace door “Aru patio PARALLEL 60 CLASSIC” is the sliding door patio door available in parallel rails with aluminium clad finish. This is the ideal solution when maximum glass area is required. This also has an almost level threshold. Constructed from Pine, Oak or Meranti.

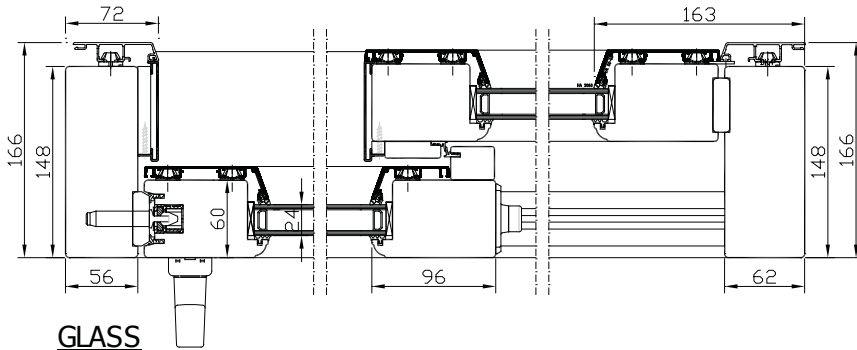


The standard solution allows the door to be locked only from the inside, but is also available to lock the door from both sides.

AruAL patio PARALLEL 60 CLASSIC



SIDE-SLIDE OPENING, VACUUM DEEP-IMPREGNATED WOODEN 2-LEVEL TERRACE DOOR

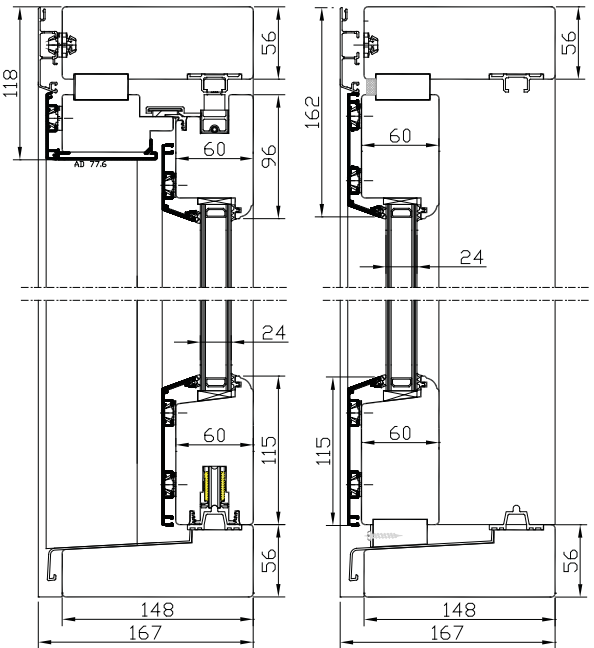
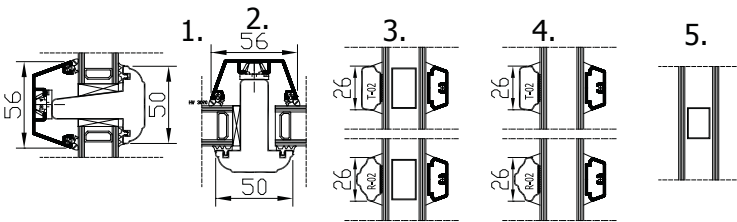


GLASS

Double or triple glazing, 26 mm ($U \geq 1,1 \text{ W/m}^2\text{K}$)

GLAZING BAR OPTIONS

1. Penetrating bars
2. Removable on the outside
3. Glued on both sides (Georgian style)
4. Glued on both sides+slats inside the glazing (Norwegian style)
5. Bars inside the glazing

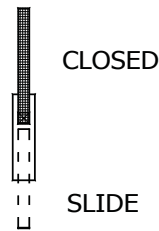


Standard - wooden threshold width alu cover
Extra - aluminium-profile threshold

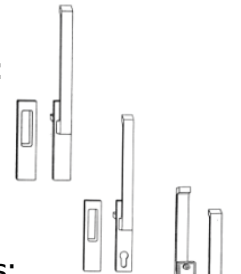
TIMBER FINISHING with water-based paint or stain

ALUMINIUM FINISHING RAL aluminium colour card

HANDLE POSITIONS:



Standard handleset:
pull handle.



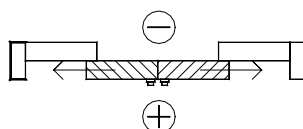
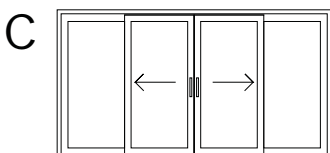
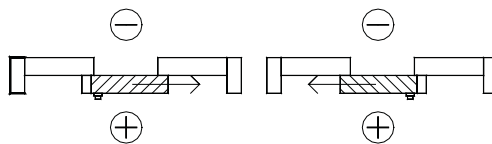
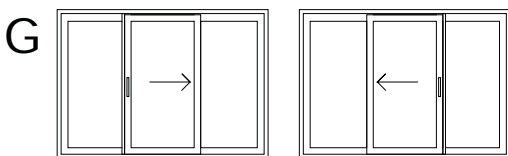
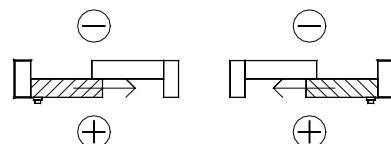
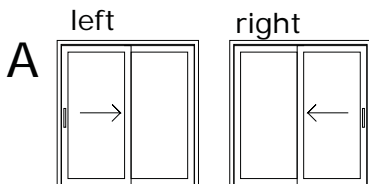
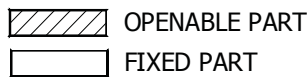
Possible additions:

1. cylinderlock on the inside
2. cylinderlock on both sides

OPENING:

All views from inside.

Sash weight max 300 kg



Dimensions (mm)

	min	max
width	1430	6630
height	1990	2874

	min	max
width	2134	9000
height	1990	2874

	min	max
width	2731	9000
height	1990	2874