



“Aru AL 60 NORDWIN Classic EX” is an outward opening window with a 60 mm thick timber sash. On the outside, the window’s jamb and sash are both covered with aluminium profiles. The aluminium cover increases the life-span of the window and makes cleaning it simpler. It is an elegant window with a slim profile. Constructed from Pine, Oak or Meranti.



A three-layered deep-impregnated window are protected with aluminium profiles. To reduce heat loss at the edge of the glass, we recommend using an insulated glazed unit that has SWS (plastic) spacers rather than the traditional metal.

# AruAL 60 NORDWIN Classic EX



## OUTWARD OPENING VACUUM DEEP-IMPREGNATED WOOD/ALUMINIUM WINDOW

### CROSS SECTIONS

Frame: 115x44 mm + alu  
Sash: 60 x 60 mm + alu

### HARDWARE

Hinges and Locking Mechanism: IPA, ASSA, HABO, FIX  
Handles: FIX, Hoppe, Mila, Titon

### GLASS

double or triple glazing, 26 mm ( $17 \geq 1,1 W/m^2K$ )  
Glazing with glazing bead, supplied with seals  
Fastened with hidden nails.  
Bottom glazing bead - aluminium

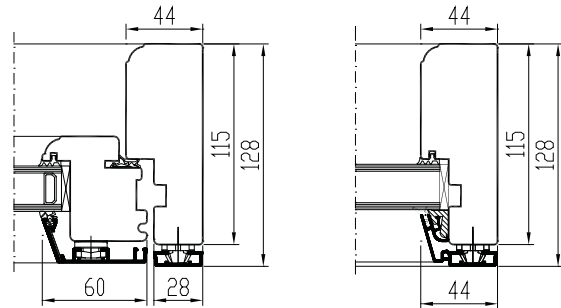
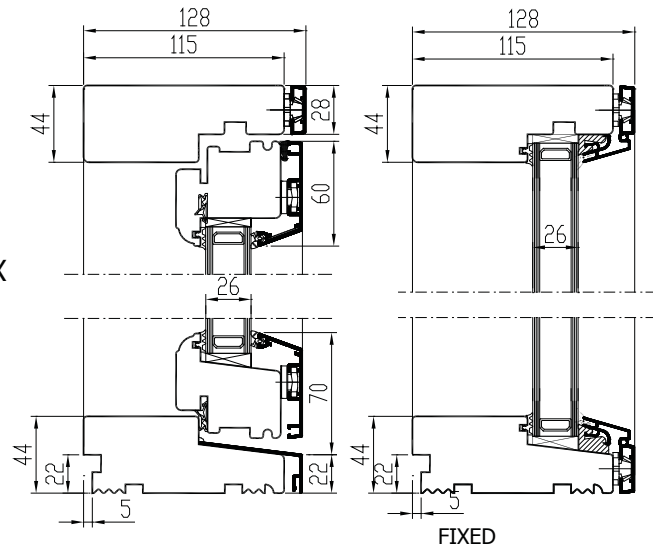
### SEALS

Around the sash

TIMBER FINISHING with water-based paint or stain

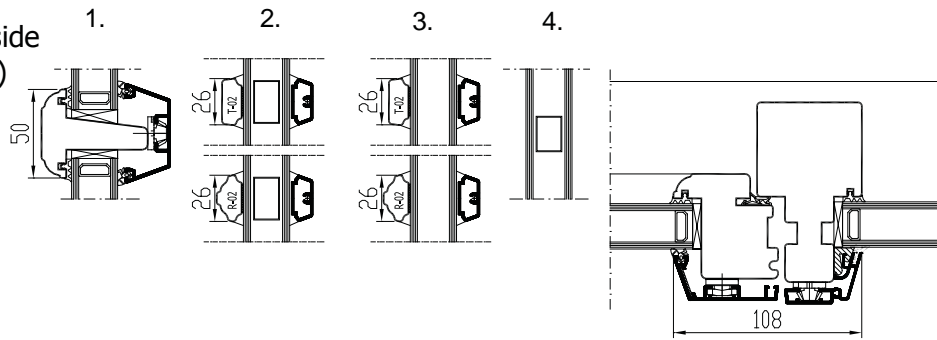
ALUMINIUM FINISHING: RAL aluminium colour card

The alu cladding is attached with invisible clips to allow proper ventilation and drainage



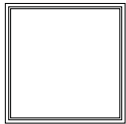
### GLAZING BAR OPTIONS

1. Penetrating bars
2. Glued on both sides+slats inside the glazing (Norwegian style)
3. Glued on both sides (Georgian style)
4. Slats inside the glazing



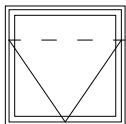
### OPENING:

Outside view

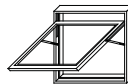


**FIXED**

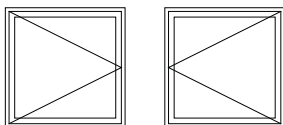
*min dimensions 330x330 mm*



**TOPGUIDED**

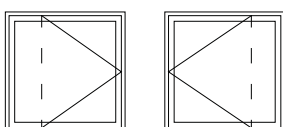


*dimensions L=370...1662; H=331...1462mm; max weight of sash 60 kg*



**SIDEHUNG (LEFT / RIGHT)**

*dimensions L=359...1158; H=515...1870mm; max weight of sash 40 kg*



**SIDE-SLIDEHUNG (LEFT / RIGHT)**



*dimensions L=364...952; H=515...1870mm; max weight of sash 40 kg*